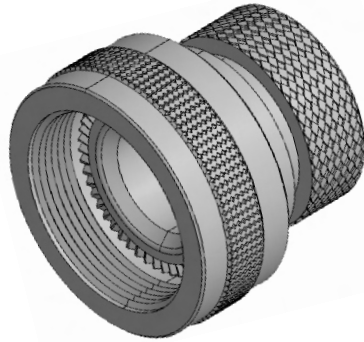


# SHRINK BOOT ADAPTOR



Amphenol shrink boot adapter is a good option when the unshielded cables are terminated with heat shrink boots. It has a groove where the boot lip can be held which provides good grip apart from sufficient space inside for the cable looping.

Using the heat shrink boot is one way of providing environmental protection and strain relief to cable termination. Using a suitable adapter is essential here to ensure the reparability. Amphenol shrink boot adapter is designed to provide excellent characteristics in all these parameters.

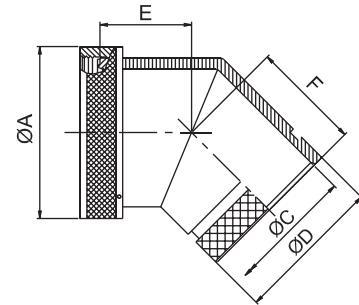
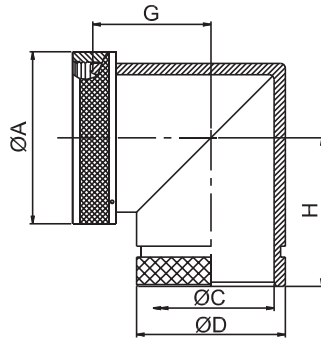
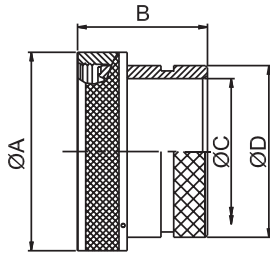
For Connector Group		Page No.
<b>J</b>	→	<b>V-1 - V-2</b>
<b>K</b>	→	<b>V-3 - V-4</b>
<b>L</b>	→	<b>V-5</b>
<b>M</b>	→	<b>V-6</b>
<b>N</b>	→	<b>V-7</b>

**Note:** For Connector group Identification refer Table 1 - A, B, C, D (Page 7-11) and for Material / Plating Finish, Refer Table-2 (Page 12)



Connector Group - J

Straight, 90°, 45°



Amphenol Part Number

BB1 X X J 99 99 9 X X

Series

Angle

S: straight  
A: 90deg  
B: 45deg

Coupling

R: spin  
D: direct

Connector group

Finish: see Table-2

Constant: X

Length  
9 - for standard  
Length in table / figure

Entry Size  
99 - for standard  
Entry Size in table / figure

Shell size  
See Table-A

MIL Part Number

M85049 / 99-9 X 9

MIL Series

Dash Number:  
See Table-A

Finish:  
See Table-2

Slash sheet  
60-1: Straight, spin coupling

**NOTE:** \* For more cable entry and length options, contact factory

TABLE - A										
AMPHENOL PART NUMBER DESIGNATOR	MIL PART NUMBER DESIGNATOR	CONNECTOR SHELL SIZE	A DIA. (MAX)		B (MAX)		C DIA. (MIN)		D DIA. (MAX)	
			INCH	MM	INCH	MM	INCH	MM	INCH	MM
08	08	8	0.62	15.67	1.19	30.15	0.25	6.35	0.53	13.54
10	10	10	0.73	18.64	1.19	30.15	0.36	9.02	0.61	15.37
12	12	7/12	0.86	21.79	1.19	30.15	0.49	12.47	0.77	19.66
14	14	12/14	0.98	24.99	1.19	30.15	0.57	14.35	0.84	21.29
16	16	19/16	1.11	28.24	1.19	30.15	0.69	17.53	0.96	24.46
18	18	27/18	1.22	30.94	1.19	30.15	0.77	19.53	1.04	26.47
20	20	37/20	1.35	34.16	1.19	30.15	0.89	22.71	1.22	30.91
22	22	22	1.47	37.29	1.19	30.15	1.02	25.88	1.36	34.42
24	24	24	1.59	40.46	1.19	30.15	1.13	28.80	1.44	36.65
28	28	28	1.97	50.01	1.51	38.38	1.37	34.77	1.71	43.41
32	32	32	2.22	56.36	1.51	38.38	1.62	41.02	1.92	48.74
36	36	36	2.47	62.71	1.51	38.38	1.83	46.48	2.17	55.09
40	40	40	2.72	69.06	1.51	38.38	2.05	51.94	2.40	61.01
44	44	44	2.97	75.41	1.51	38.38	2.30	58.42	2.66	67.49
48	48	48	3.22	81.76	1.51	38.38	2.55	64.77	2.91	73.84

Table Continued

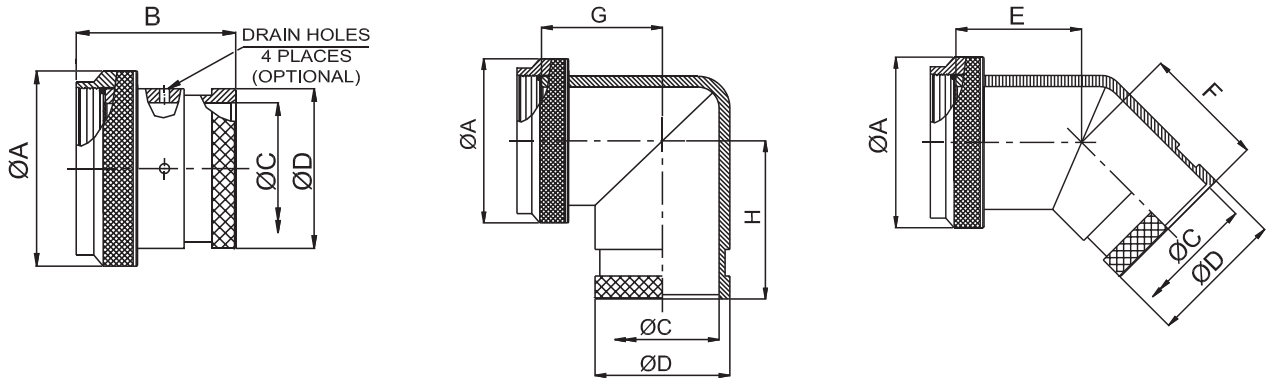
Connector Group - J

Straight, 90°, 45°

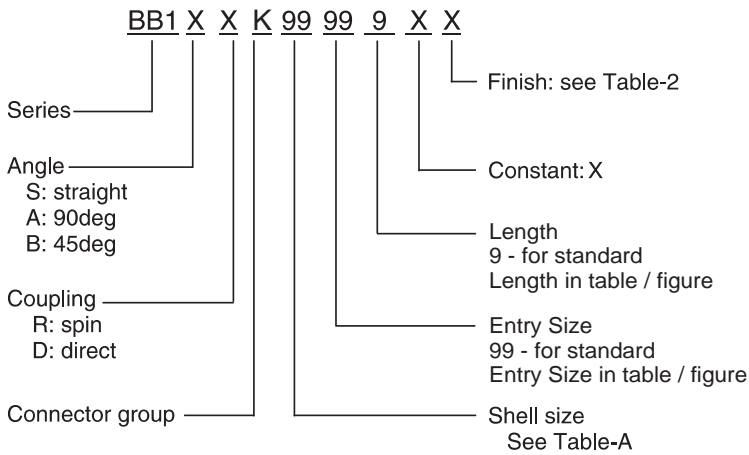
AMPHENOL PART NUMBER DESIGNATOR	MIL PART NUMBER DESIGNATOR	CONNECTOR SHELL SIZE	E (MAX)		F (MAX)		G (MAX)		H (MAX)	
			INCH	MM	INCH	MM	INCH	MM	INCH	MM
08	08	8	0.64	16.23	0.81	20.57	0.75	19.05	0.92	23.37
10	10	10	0.66	16.87	0.84	21.34	0.81	20.57	0.98	24.89
12	12	7/12	0.69	17.48	0.86	21.84	0.87	22.10	1.04	26.42
14	14	12/14	0.71	17.91	0.89	22.61	0.92	23.37	1.11	28.19
16	16	19/16	0.73	18.59	0.91	23.11	0.98	24.89	1.17	29.72
18	18	27/18	0.75	19.00	0.92	23.37	1.02	25.91	1.19	30.23
20	20	37/20	0.77	19.63	0.94	23.88	1.08	27.43	1.25	31.75
22	22	22	0.80	20.32	0.98	24.89	1.14	28.96	1.33	33.78
24	24	24	0.82	20.90	1.01	25.65	1.20	30.48	1.40	35.56
28	28	28	1.04	26.44	1.18	29.97	1.48	37.59	1.64	41.66
32	32	32	1.09	27.74	1.37	34.80	1.61	40.89	1.88	47.75
36	36	36	-----	-----	-----	-----	-----	-----	-----	-----
40	40	40	-----	-----	-----	-----	-----	-----	-----	-----
44	44	44	-----	-----	-----	-----	-----	-----	-----	-----
48	48	48	-----	-----	-----	-----	-----	-----	-----	-----

### Connector Group - K

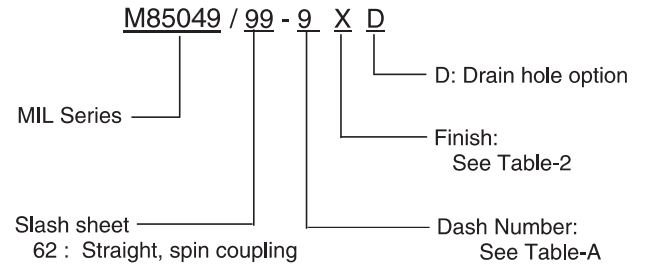
Straight, 90°, 45°



#### Amphenol Part Number



#### MIL Part Number



**NOTE:** \* For more cable entry and length options, contact factory

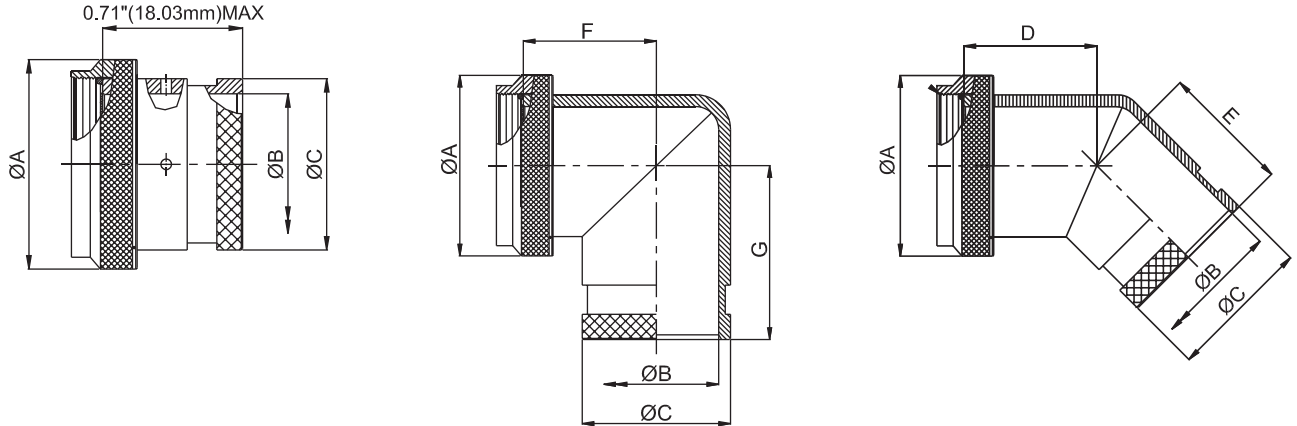
AMPHENOL PART NUMBER DESIGNATOR		MIL PART NUMBER DESIGNATOR		CONNECTOR SHELL SIZE SE - II / I		A DIA. (MAX)		B (MAX)		C DIA. (MIN)		D DIA. (MAX)		E (MAX)	
SHELL SIZE	DASH NO.					INCH	MM	INCH	MM	INCH	MM	INCH	MM	INCH	MM
08	08			8 / 9		0.75	19.05	1.00	25.40	0.25	6.35	0.53	13.54	0.64	16.23
10	10			10 / 11		0.85	21.59	1.00	25.40	0.38	9.53	0.61	15.37	0.66	16.87
12	12			12 / 13		1.00	25.40	1.00	25.40	0.50	12.70	0.77	19.66	0.69	17.48
14	14			14 / 15		1.10	27.94	1.00	25.40	0.63	15.88	0.84	21.29	0.71	17.91
16	16			16 / 17		1.25	31.75	1.00	25.40	0.75	19.05	0.94	23.77	0.73	18.59
18	18			18 / 19		1.40	35.56	1.00	25.40	0.81	20.62	1.04	26.47	0.75	19.00
20	20			20 / 21		1.50	38.10	1.00	25.40	0.94	23.80	1.22	30.91	0.77	19.63
22	22			22 / 23		1.65	41.91	1.00	25.40	1.06	26.97	1.36	34.42	0.80	20.32
24	24			24 / 25		1.75	44.45	1.00	25.40	1.19	30.18	1.44	36.65	0.82	20.90

Table Continued

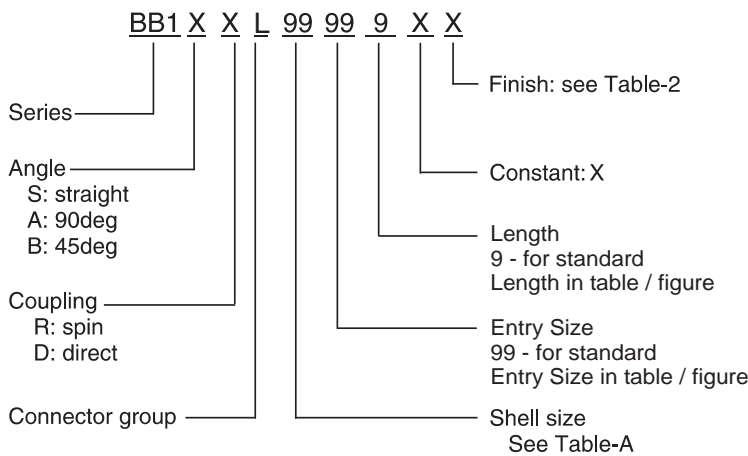
TABLE - A								
AMPHENOL PART NUMBER DESIGNATOR	MIL PART NUMBER DESIGNATOR	CONNECTOR SHELL SIZE SE - II / I	F (MAX)		G (MAX)		H (MAX)	
			INCH	MM	INCH	MM	INCH	MM
08	08	8 / 9	0.81	20.57	0.75	19.05	0.92	23.37
10	10	10 / 11	0.84	21.34	0.81	20.57	0.98	24.89
12	12	12 / 13	0.86	21.84	0.87	22.10	1.04	26.42
14	14	14 / 15	0.89	22.61	0.92	23.37	1.11	28.19
16	16	16 / 17	0.91	23.11	0.98	24.89	1.17	29.72
18	18	18 / 19	0.92	23.37	1.02	25.91	1.19	30.23
20	20	20 / 21	0.94	23.88	1.08	27.43	1.25	31.75
22	22	22 / 23	0.98	24.89	1.14	28.96	1.33	33.78
24	24	24 / 25	1.01	25.65	1.20	30.48	1.40	35.56

Connector Group - L

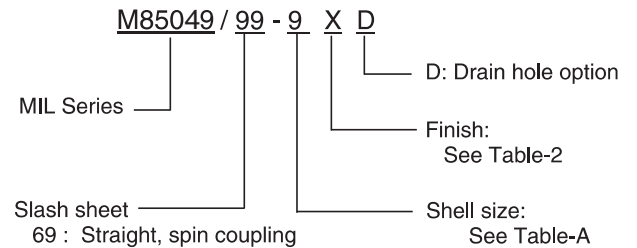
Straight, 90°, 45°



### Amphenol Part Number

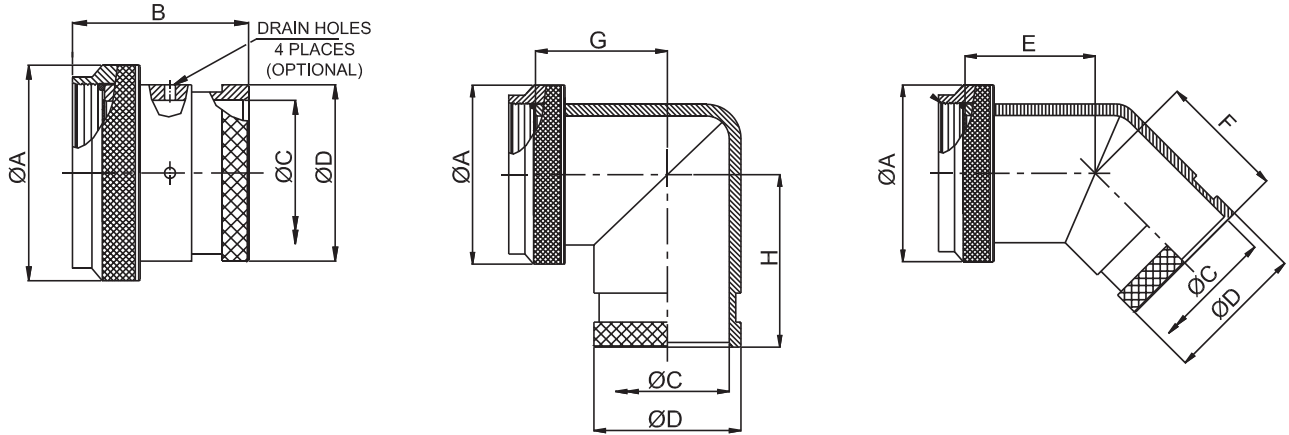


### MIL Part Number

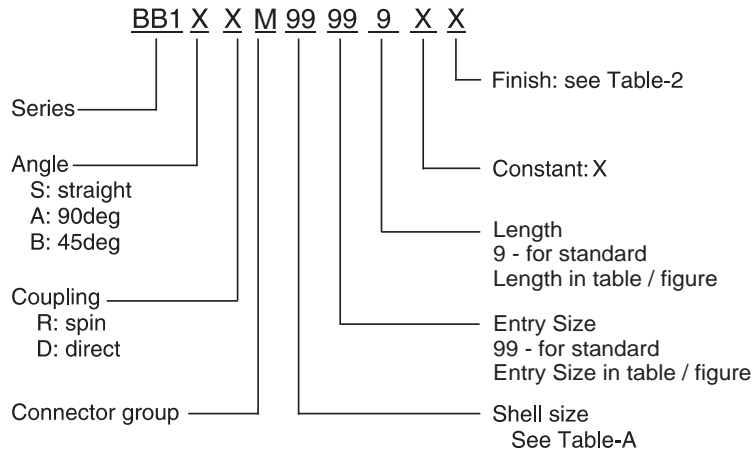


NOTE: \* For more cable entry and length options, contact factory

AMPHENOL PART NUMBER DESIGNATOR		MIL PART NUMBER DESIGNATOR		CONNECTOR SHELL SIZE/CODE (REF.)	A DIA. (MAX)		B DIA. (MIN)		C DIA. (MAX)		D (MAX)		E (MAX)		F (MAX)		G (MAX)	
SHELL SIZE	CONNECTOR SHELL SIZE				INCH	MM	INCH	MM	INCH	MM	INCH	MM	INCH	MM	INCH	MM	INCH	MM
08	09	09 / A		0.75	19.05	0.25	6.35	0.53	13.54	0.64	16.23	0.81	20.57	0.75	19.05	0.92	23.37	
10	11	11 / B		0.85	21.59	0.38	9.53	0.61	15.37	0.66	16.87	0.84	21.34	0.81	20.57	0.98	24.89	
12	13	13 / C		1.00	25.40	0.50	12.70	0.77	19.66	0.69	17.48	0.86	21.84	0.87	22.10	1.04	26.42	
14	15	15 / D		1.15	29.21	0.63	15.88	0.84	21.29	0.71	17.91	0.89	22.61	0.92	23.37	1.11	28.19	
16	17	17 / E		1.25	31.75	0.75	19.05	0.94	23.77	0.73	18.59	0.91	23.11	0.98	24.89	1.17	29.72	
18	19	19 / F		1.40	35.56	0.81	20.62	1.04	26.47	0.75	19.00	0.92	23.37	1.02	25.91	1.19	30.23	
20	21	21 / G		1.55	39.37	0.94	23.80	1.22	30.91	0.77	19.63	0.94	23.88	1.08	27.43	1.25	31.75	
22	23	23 / H		1.65	41.91	1.06	26.97	1.36	34.42	0.80	20.32	0.98	24.89	1.14	28.96	1.33	33.78	
24	25	25 / J		1.85	46.99	1.19	30.18	1.44	36.65	0.82	20.90	1.01	25.65	1.20	30.48	1.40	35.56	



#### Amphenol Part Number



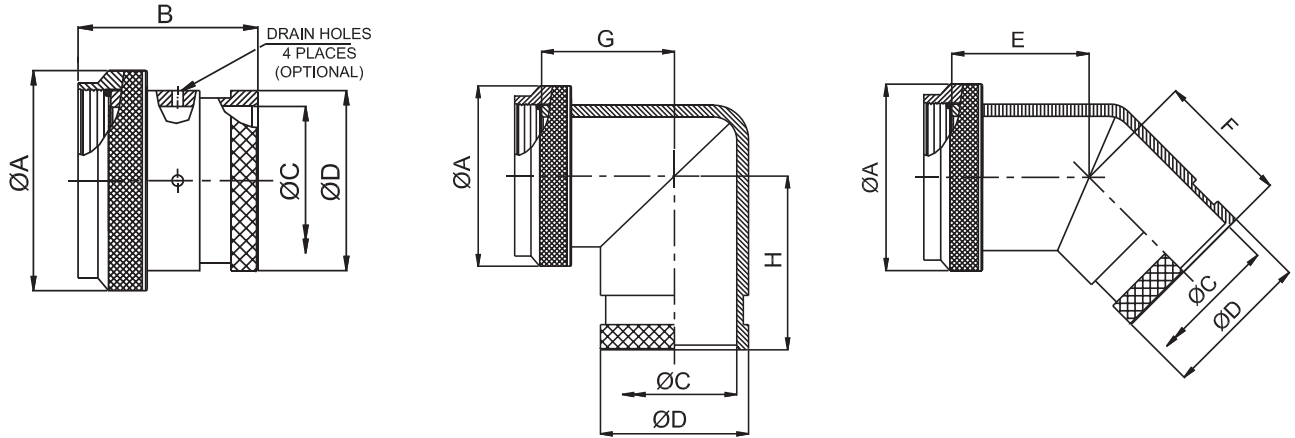
**NOTE:** \* For more cable entry and length options, contact factory

		TABLE - A															
AMPHENOL PART NUMBER DESIGNATOR	CONNECTOR SHELL SIZE	A DIA. (MAX)		B (MAX)		C DIA. (MIN)		D DIA. (MAX)		E (MAX)		F (MAX)		G (MAX)		H (MAX)	
		INCH	MM	INCH	MM	INCH	MM	INCH	MM	INCH	MM	INCH	MM	INCH	MM	INCH	MM
08	8	0.75	19.05	1.00	25.40	0.25	6.35	0.53	13.54	0.64	16.23	0.81	20.57	0.75	19.05	0.92	23.37
10	10	0.85	21.59	1.00	25.40	0.38	9.53	0.61	15.37	0.66	16.87	0.84	21.34	0.81	20.57	0.98	24.89
12	12	1.00	25.40	1.00	25.40	0.50	12.70	0.77	19.66	0.69	17.48	0.86	21.84	0.87	22.10	1.04	26.42
14	14	1.10	27.94	1.00	25.40	0.63	15.88	0.84	21.29	0.71	17.91	0.89	22.61	0.92	23.37	1.11	28.19
16	16	1.25	31.75	1.00	25.40	0.75	19.05	0.94	23.77	0.73	18.59	0.91	23.11	0.98	24.89	1.17	29.72
18	18	1.40	35.56	1.00	25.40	0.81	20.62	1.04	26.47	0.75	19.00	0.92	23.37	1.02	25.91	1.19	30.23
20	20	1.50	38.10	1.00	25.40	0.94	23.80	1.22	30.91	0.77	19.63	0.94	23.88	1.08	27.43	1.25	31.75
22	22	1.65	41.91	1.00	25.40	1.06	26.97	1.36	34.42	0.80	20.32	0.98	24.89	1.14	28.96	1.33	33.78
24	24	1.75	44.45	1.00	25.40	1.19	30.18	1.44	36.65	0.82	20.90	1.01	25.65	1.20	30.48	1.40	35.56

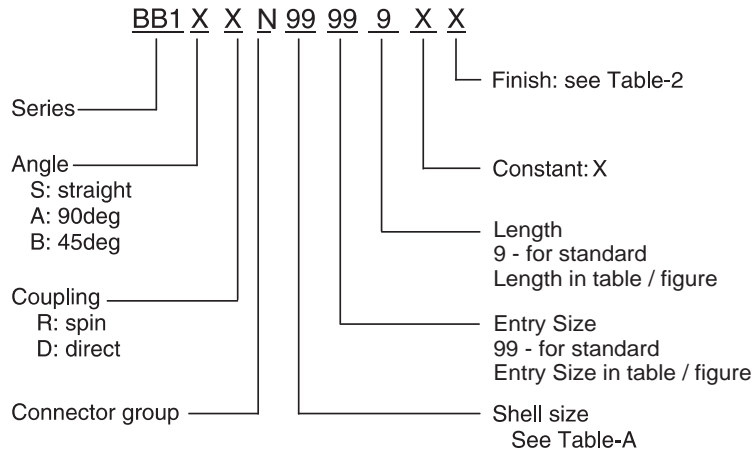


Connector Group - N

Straight, 90°, 45°



### Amphenol Part Number



**NOTE:** \* For more cable entry and length options, contact factory

TABLE - A																	
AMPHENOL PART NUMBER DESIGNATOR	CONNECTOR SHELL SIZE	A DIA. (MAX)		B (MAX)		C DIA. (MIN)		D DIA. (MAX)		E (MAX)		F (MAX)		G (MAX)		H (MAX)	
		INCH	MM	INCH	MM	INCH	MM	INCH	MM	INCH	MM	INCH	MM	INCH	MM	INCH	MM
08	8	0.75	19.05	1.00	25.40	0.25	6.35	0.53	13.54	0.64	16.23	0.81	20.57	0.75	19.05	0.92	23.37
10	10	0.85	21.59	1.00	25.40	0.38	9.53	0.61	15.37	0.66	16.87	0.84	21.34	0.81	20.57	0.98	24.89
12	12	1.00	25.40	1.00	25.40	0.50	12.70	0.77	19.66	0.69	17.48	0.86	21.84	0.87	22.10	1.04	26.42
14	14	1.10	27.94	1.00	25.40	0.63	15.88	0.84	21.29	0.71	17.91	0.89	22.61	0.92	23.37	1.11	28.19
16	16	1.25	31.75	1.00	25.40	0.75	19.05	0.94	23.77	0.73	18.59	0.91	23.11	0.98	24.89	1.17	29.72
18	18	1.40	35.56	1.00	25.40	0.81	20.62	1.04	26.47	0.75	19.00	0.92	23.37	1.02	25.91	1.19	30.23
20	20	1.50	38.10	1.00	25.40	0.94	23.80	1.22	30.91	0.77	19.63	0.94	23.88	1.08	27.43	1.25	31.75
22	22	1.65	41.91	1.00	25.40	1.06	26.97	1.36	34.42	0.80	20.32	0.98	24.89	1.14	28.96	1.33	33.78
24	24	1.75	44.45	1.00	25.40	1.19	30.18	1.44	36.65	0.82	20.90	1.01	25.65	1.20	30.48	1.40	35.56